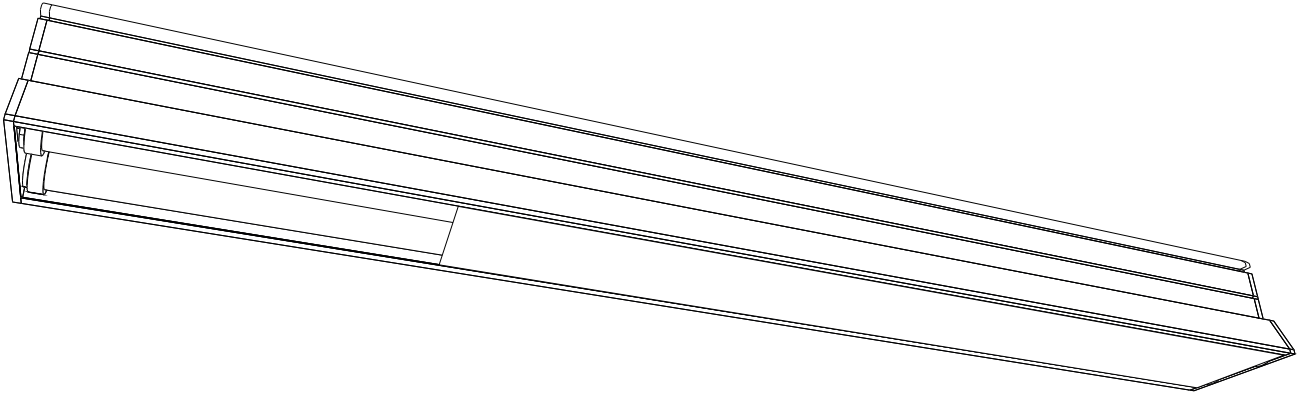


1.4 MONTAJ ve KULLANIM KILAVUZU

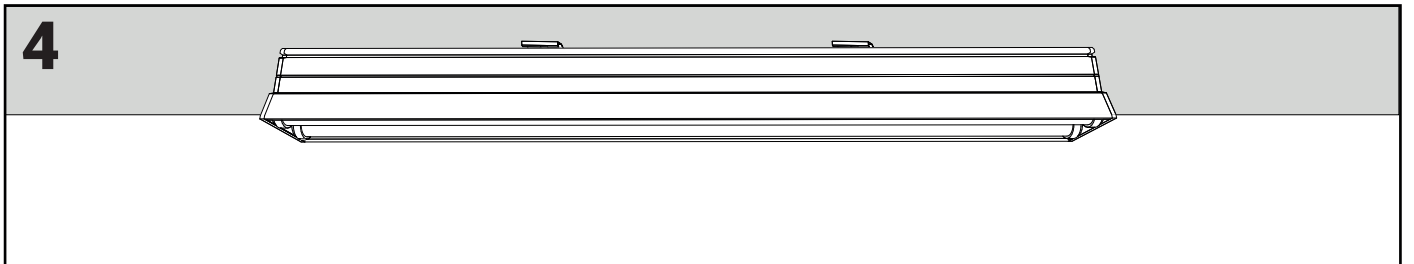
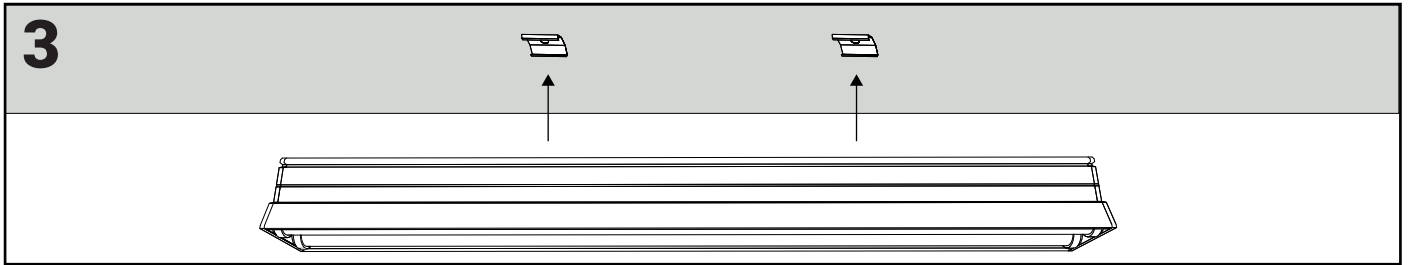
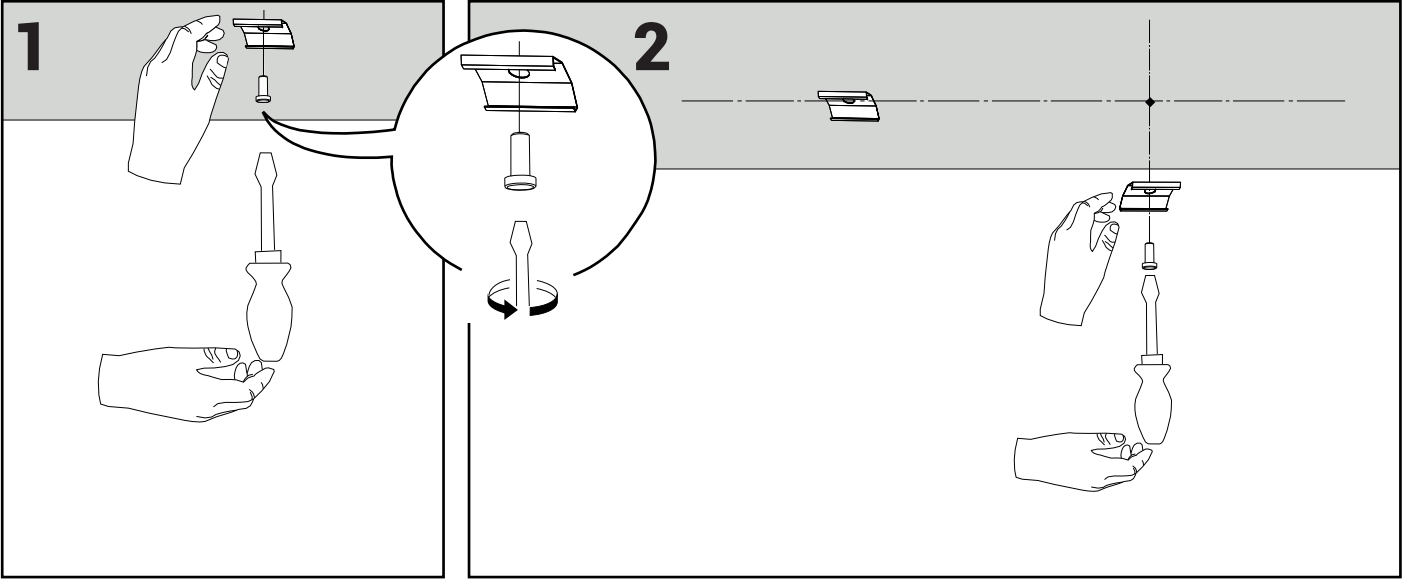
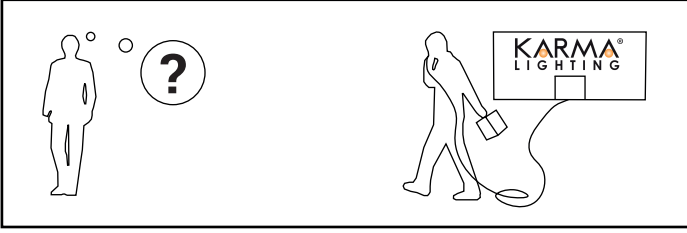
MOUNTING and USER GUIDE

FLAT 2XT5

FLAT 2XT5-LİNEER LED AYDINLATMA ARMATÜRÜ
FLAT 2XT5 - LINEAR LED LIGHTING FIXTURE



SIVA ÜSTÜ MONTAJ TİPİ - TEKLİ KLİPS / SURFACE MOUNTING TYPE - SINGLE CLIP



SIVA ÜSTÜ MONTAJ TİPİ - ASKI TELLİ / SURFACE MOUNTING TYPE - SUSPENDED WIRE

